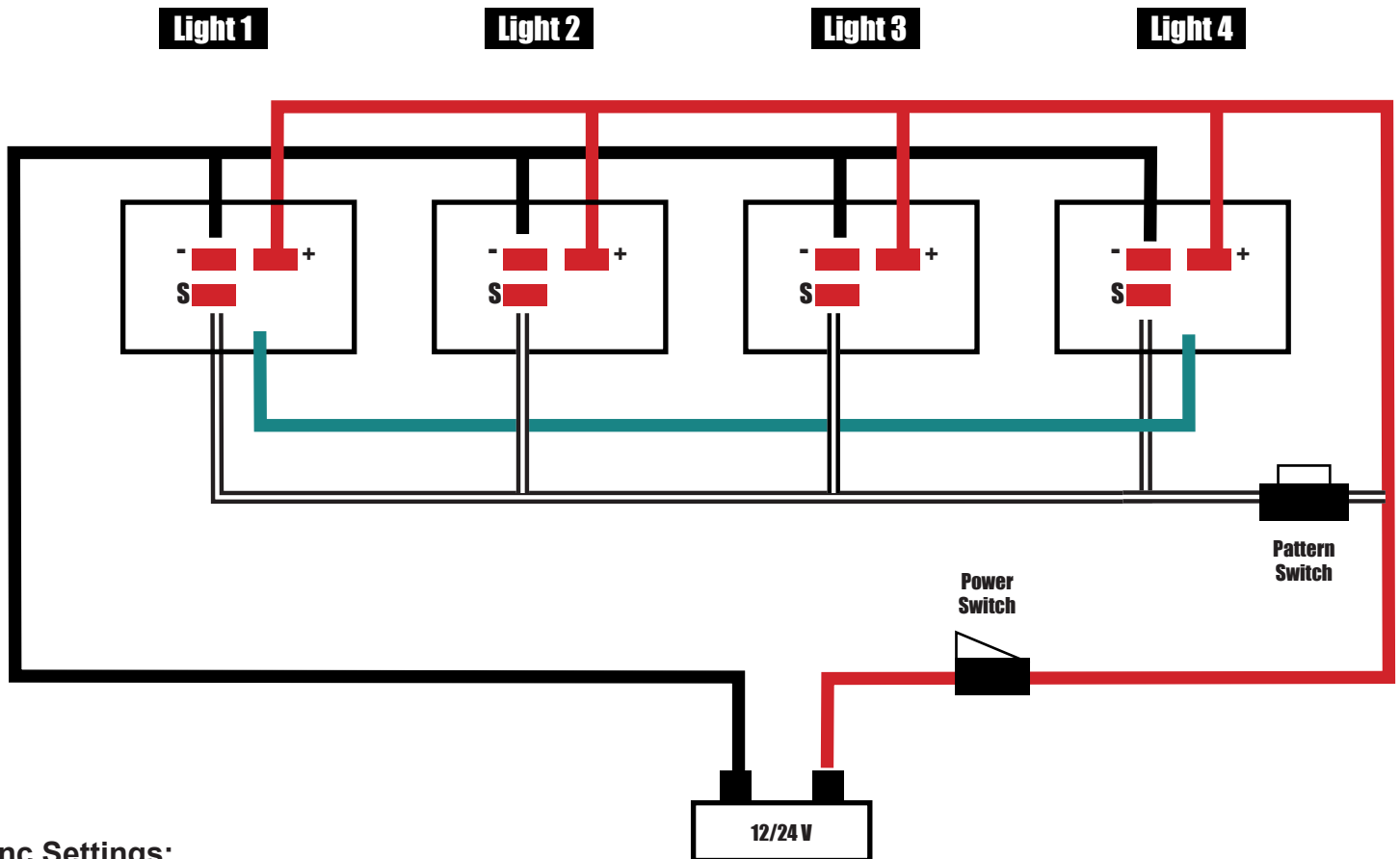


4 Wire Synch Wiring Diagram

CA 7082A

Red: Anode , Live, Power
 Green: Changing Flash Patterns
 White: Synchronisation
 Black : Earth, Negative Pole



Sync Settings:

1. Connect all the positive (Red) wires of all lamps, connect all the negative (Black) wires of all lamps, connect all the sync wires of all lamps.
2. Connect the positive (Red) wires and negative (Black) wires of one lamp to the power supply , connect the sync (White) wire with the positive wire after 2.5 seconds, then all the lamp will back to the first flash pattern. Then all the lamp will be synced.
3. Connect the positive (Red) wire of the power and the sync (White) wire after 0.5 seconds, all the lamp will sync with new flash pattern.
4. If the lamps do not sync after a long time, please start at step 2 again.

Disclaimer: This diagram is to be used as a guide, Use of this guide is at the installers risk.